

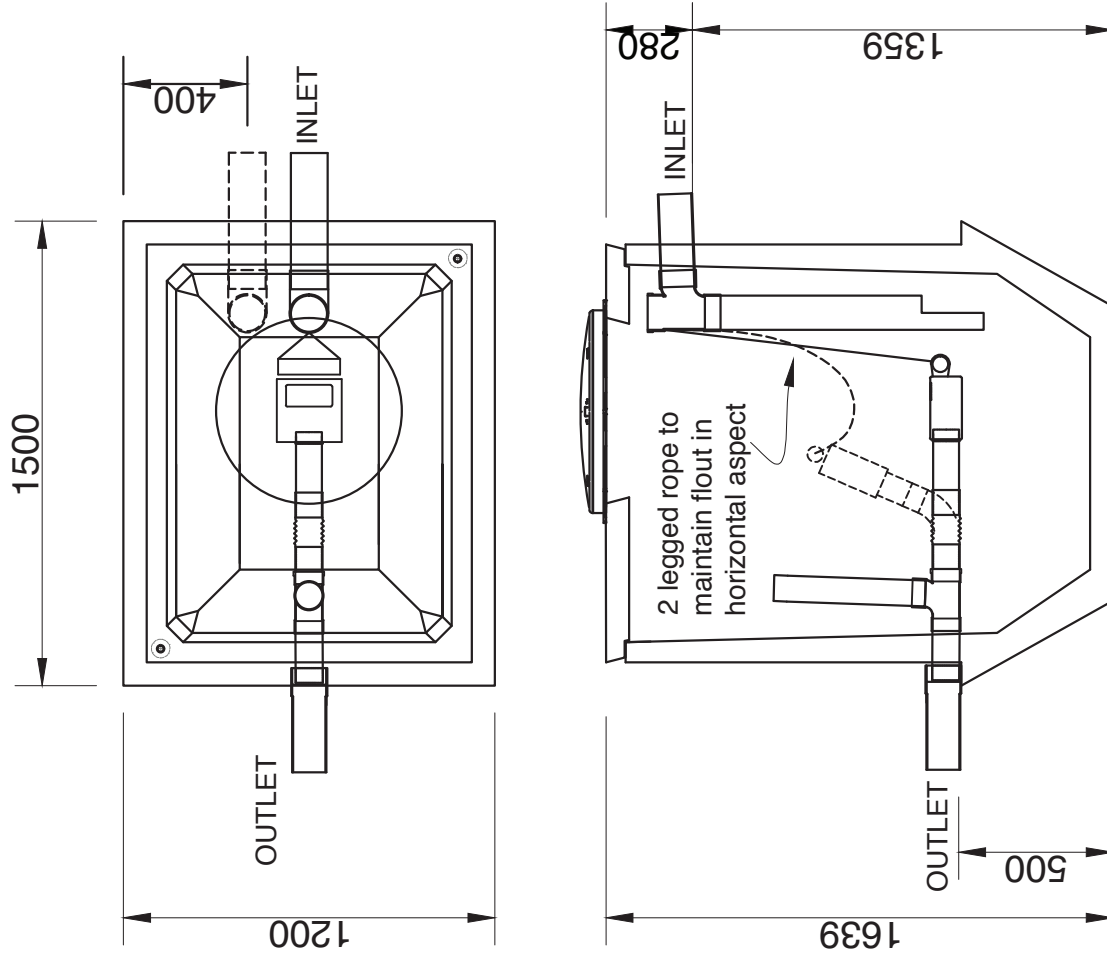
LID thickness standard at 80mm. Recommended maximum loose soil cover depth - 400mm.

Light trafficable and heavy duty lids with cast iron frame and grates are available to order. Contact Austin Bluewater technical department

TANK Weight - with 80mm lid = 1.80 t Lifting - 2 No. Reid 1.3 eye anchors

Standard dosage - 180 litres - 190mm drawdown (as drawn)

Maximum dosage - 450 litres - 425 drawdown (inlet relocated - shown dashed in plan)



Christchurch Head Office
 889 Jones Road, Rolleston
 P O Box 16865, Hornby 8441,
 Christchurch
 0800 austin - 0800 287 846

FLOUT CHAMBER - 1600 Litre Capacity

THE COPYRIGHT OF THIS DRAWING REMAINS WITH AUSTIN BLUEWATER ENVIRONMENTAL CONCEPTS LTD.

Product code:

FC1600

Scale: NTS

Drawn: GN

Date: 07/17

Rev:

July 2017