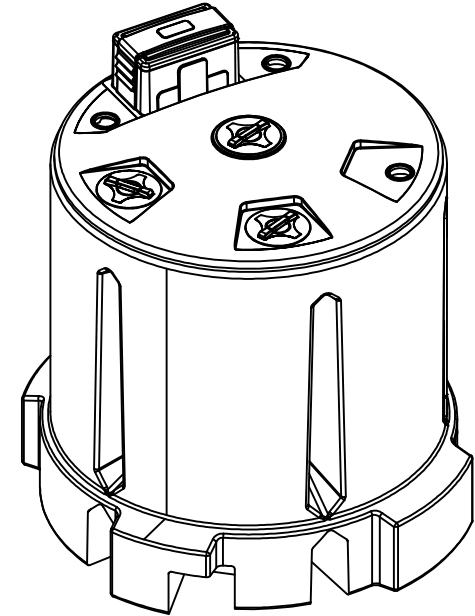
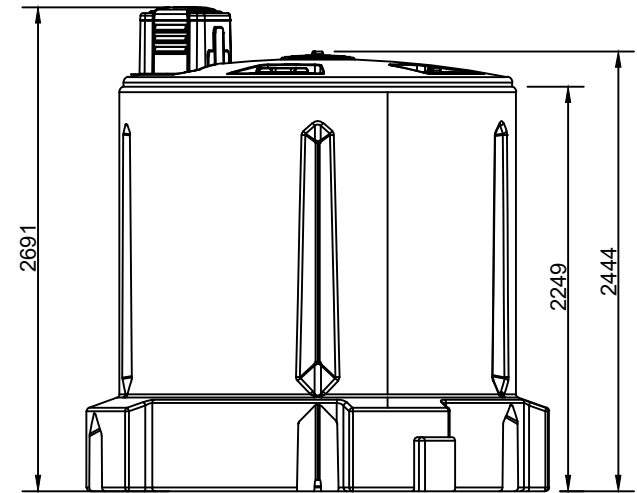
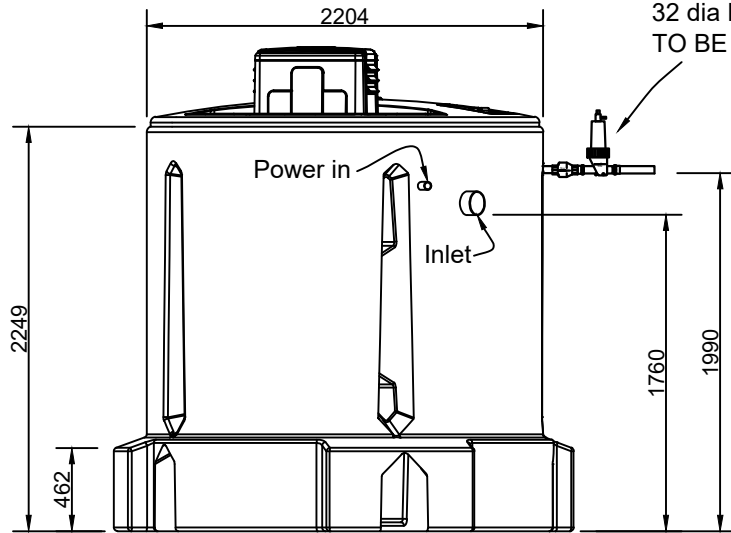


Pump out to irrigation field,
assembly to include mac union,
non return valve & filter.
32 dia Pressure pipe.
TO BE FITTED ON SITE



Pump out to irrigation field,
assembly to include mac union,
non return valve & filter.
32 dia Pressure pipe.
TO BE FITTED ON SITE



Christchurch Head Office
889 Jones Road, Rolleston
P O Box 16865, Hornby 8441,
Christchurch
0800 austin - 0800 287 846

Light Weight Polyethylene Treatment system

Rated to continuous flow of 1600 litres per day

THE COPYRIGHT OF THIS DRAWING REMAINS WITH AUSTIN BLUEWATER ENVIRONMENTAL CONCEPTS LTD.

Product code:

**ABT
Poly TS**

Scale: NTS

Drawn: GN

Date: 07/17

Rev:

Sep 2020