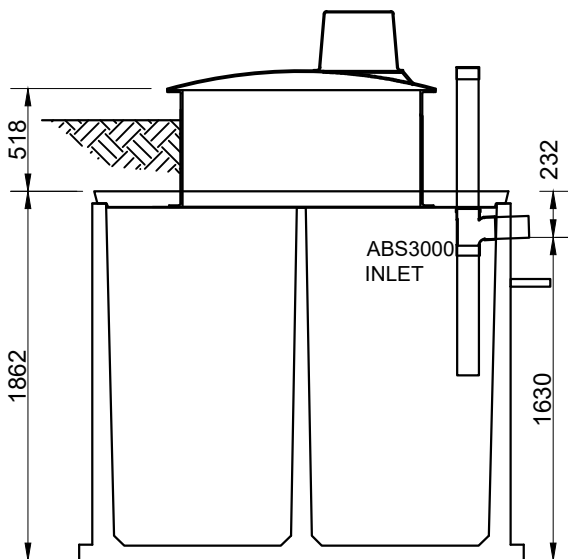
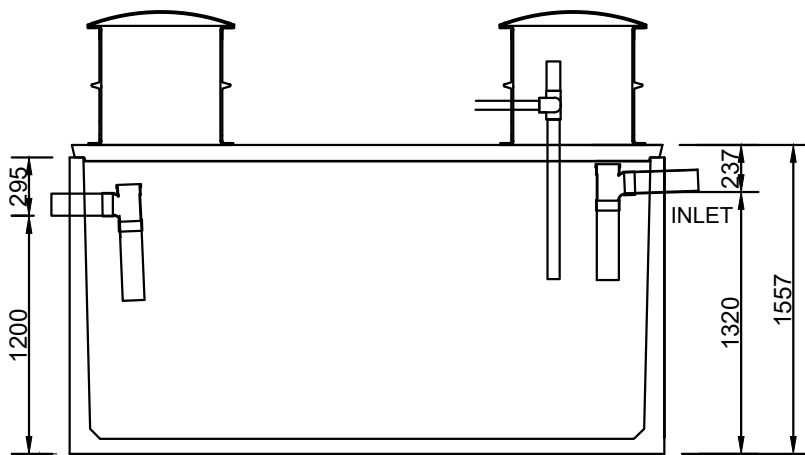


PLAN



ABS3000

Same dimensions as per ABS2000



PTT65

same dimensions as B52

Lid thickness standard at 80mm. Recommended maximum loose soil cover depth - 400mm

Lid thickness standard at 80mm. Recommended maximum loose soil cover depth - 400mm

TANK Weight - including 80 mm lid = 8.2 tonne
Lifting - 4 number Reid 2.5 t eye anchors
When handling an equalising beam must be used to ensure equal loading to all lifting anchors

TANK Weight - including 80 mm lid = 5.7 tonne
Lifting - 4 number Reid 2.5 t eye anchors
When handling an equalising beam must be used to ensure equal loading to all lifting anchors



Christchurch Head Office
20 Illinois Drive, Rolleston
P O Box 16865, Hornby 8441,
Christchurch
0800 austin - 0800 287 846

ABS 3000

Rated to continuous flow of 2400 litres per day. Up to 3000 litres per day for intermittent use.

Product code:	Scale: NTS
	Drawn: GN
	Date: 07/17
	Rev:
	Mar 2023