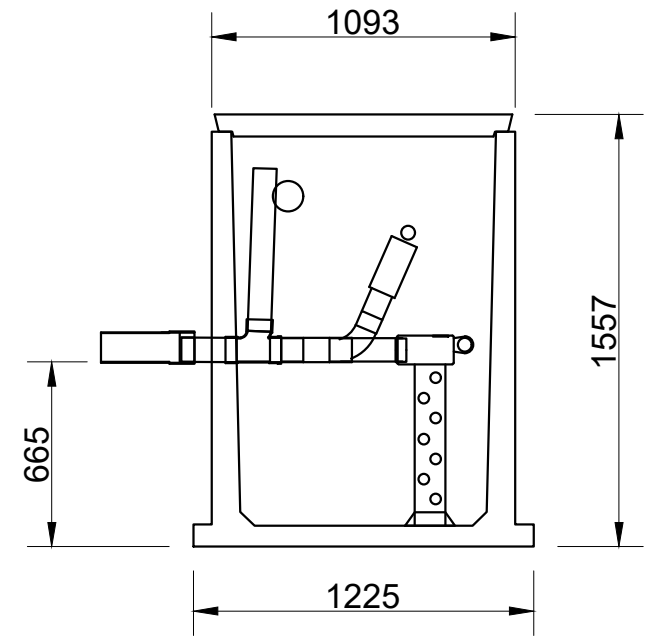
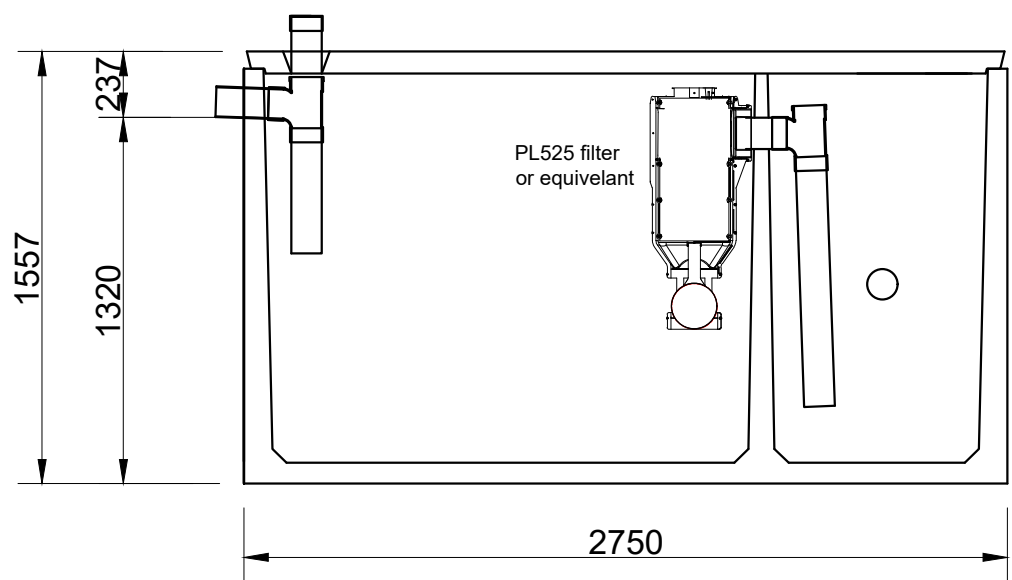


Unit supplied with 3 lift out concrete lids as standard. To extend with turrets use 400 dia Farm Tuff pipe

Lid thickness standard at 80mm. Recommended maximum loose soil cover depth - 400mm

Light Trafficable and heavy duty lids with cast iron frame and grates are available to order. Contact Austin Bluewater technical department.

TANK Weight - including 80 mm lid = 3.7 tonne  
 Lifting - 4 number Reid 2.5 t eye anchors  
 Equalising beam must be used to ensure equal loading to all lifting anchors



Christchurch Head Office  
 20 Illinois Drive, Rolleston  
 P O Box 16865, Hornby 8441,  
 Christchurch  
 0800 austin - 0800 287 846

# B33 - FLOUT

THE COPYRIGHT OF THIS DRAWING REMAINS WITH AUSTIN BLUEWATER ENVIRONMENTAL CONCEPTS LTD.

|               |               |
|---------------|---------------|
| Product code: | Scale: NTS    |
| <b>B33F</b>   | Drawn: GN     |
|               | Date: 07/17   |
|               | Rev: Apr 2023 |