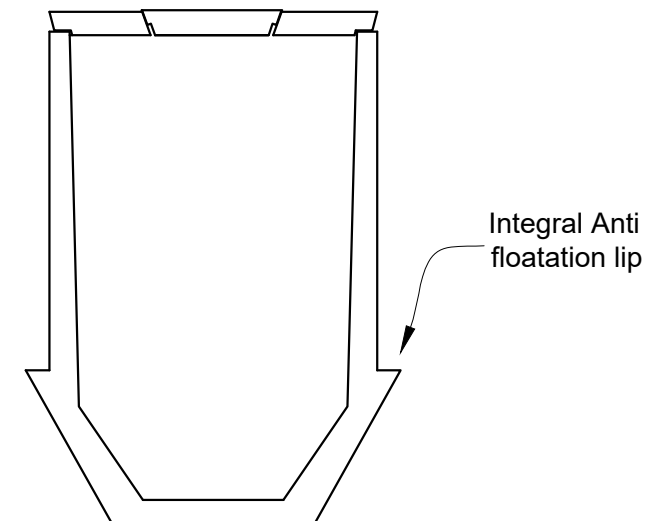
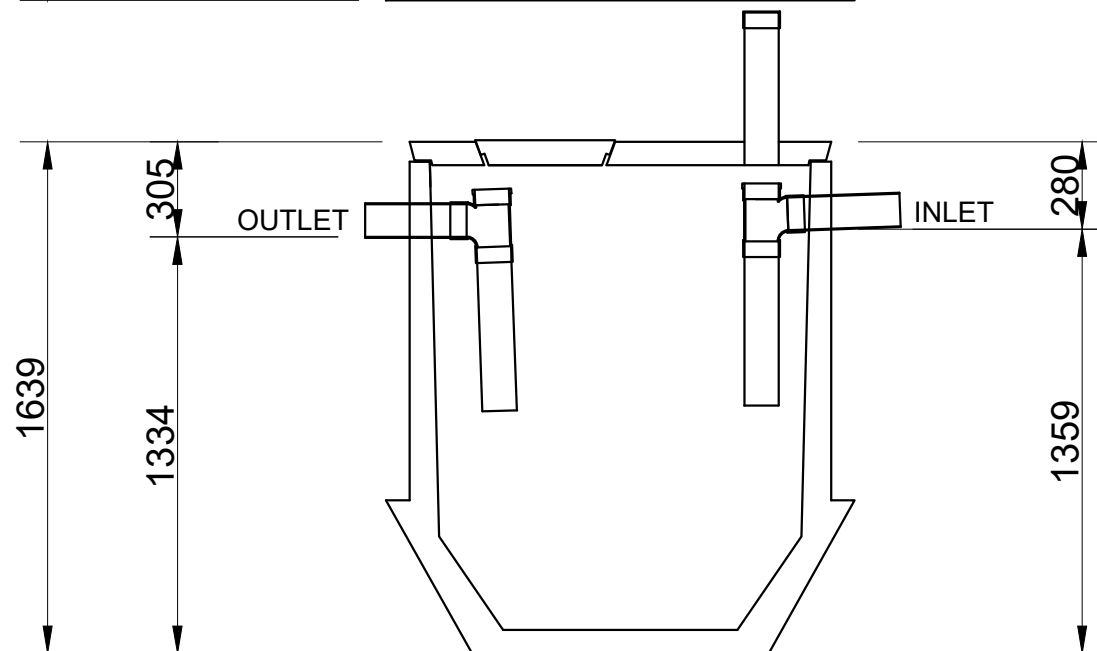


Unit supplied with lift out concrete lid as standard.
To extend with turrets use 400 dia Farm Tuff pipe.

LID thickness standard at 80mm. Recommended
maximum loose soil cover depth - 400mm.

Light trafficable / heavy duty lids are available to order.
Contact Austin Bluewater technical department

TANK Weight - with 80mm lid = 1.80 t
Lifting - 2 No. Reid 1.3 eye anchors



Christchurch Head Office
20 Illinois Drive, Rolleston
P O Box 16865, Hornby 8441,
Christchurch
0800 austin - 0800 287 846

SEPTIC TANK 1600 litre

THE COPYRIGHT OF THIS DRAWING REMAINS WITH AUSTIN BLUEWATER ENVIRONMENTAL CONCEPTS LTD.

Product code:

ST16

Scale: NTS

Drawn: GN

Date: 07/17

Rev:

May 2023