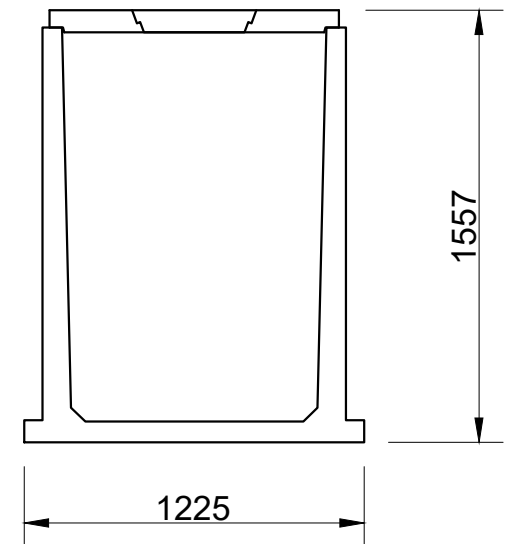
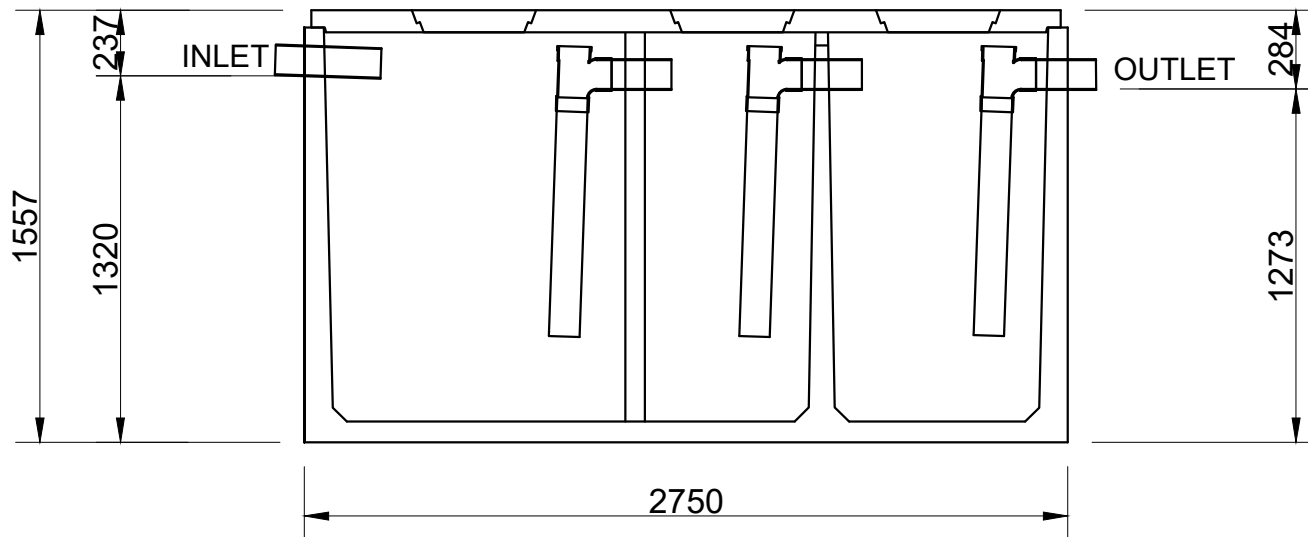


Lid thickness standard at 80mm. Recommended maximum loose soil cover depth - 400mm

Light Trafficable / heavy duty lids are available to order. Contact Austin Bluewater technical department.

TANK Weight - including 80 mm lid = 3.9 tonne
 Lifting - 4 number Reid 2.5 t eye anchors
 Equalising beam must be used to ensure equal loading to all lifting anchors

Unit supplied with 3 lift out concrete lids as standard.
 To extend with turrets use 400 dia Farm Tuff pipe.



Christchurch Head Office
 20 Illinois Drive, Rolleston
 P O Box 16865, Hornby 8441,
 Christchurch
 0800 austin - 0800 287 846

OIL & GRIT INTERCEPTOR

3300 Litre

THE COPYRIGHT OF THIS DRAWING REMAINS WITH AUSTIN BLUEWATER ENVIRONMENTAL CONCEPTS LTD.

Product code:

OG33

Scale: NTS

Drawn: GN

Date: 07/17

Rev:

June 2023