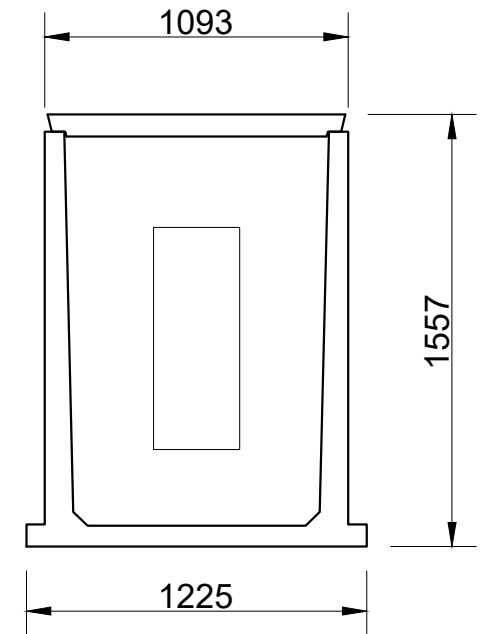
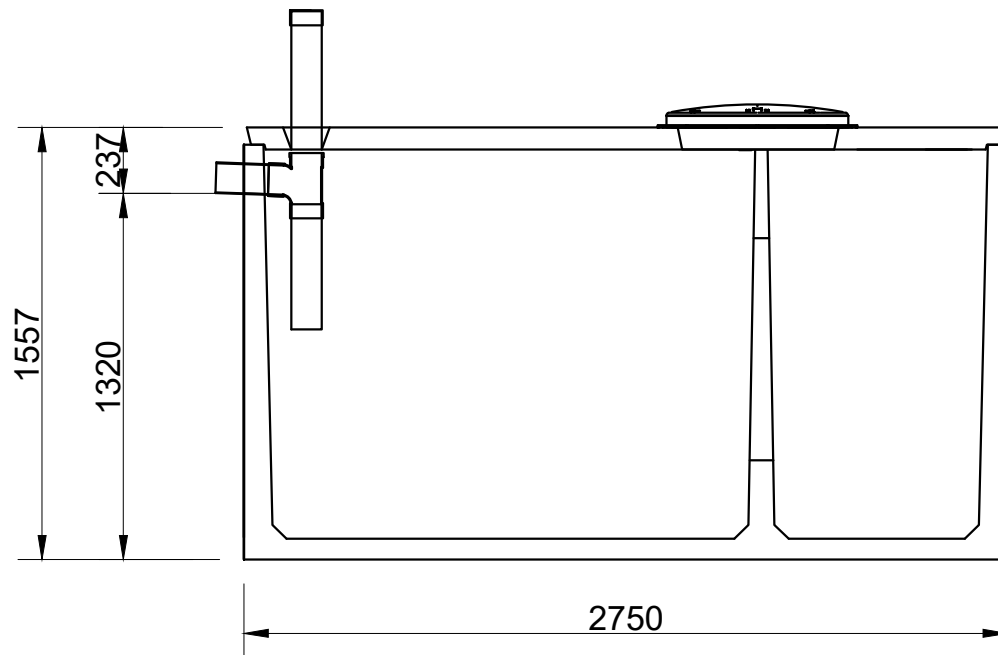


Lid thickness standard at 80mm. Recommended maximum loose soil cover depth - 400mm

Light Trafficable / heavy duty lids are available to order. Contact Austin Bluewater technical department.

TANK Weight - including 80 mm lid = 3.7 tonne  
 Lifting - 4 number Reid 2.5 t eye anchors  
 Equalising beam must be used to ensure equal loading to all lifting anchors



Christchurch Head Office  
 20 Illinois Drive, Rolleston  
 P O Box 16865, Hornby 8441,  
 Christchurch  
 0800 austin - 0800 287 846

## HOLDING TANK - 3300 litre capacity

THE COPYRIGHT OF THIS DRAWING REMAINS WITH AUSTIN BLUEWATER ENVIRONMENTAL CONCEPTS LTD.

Product code:

**HT 33**

Scale: NTS

Drawn: GN

Date: 07/17

Rev:

June 2023