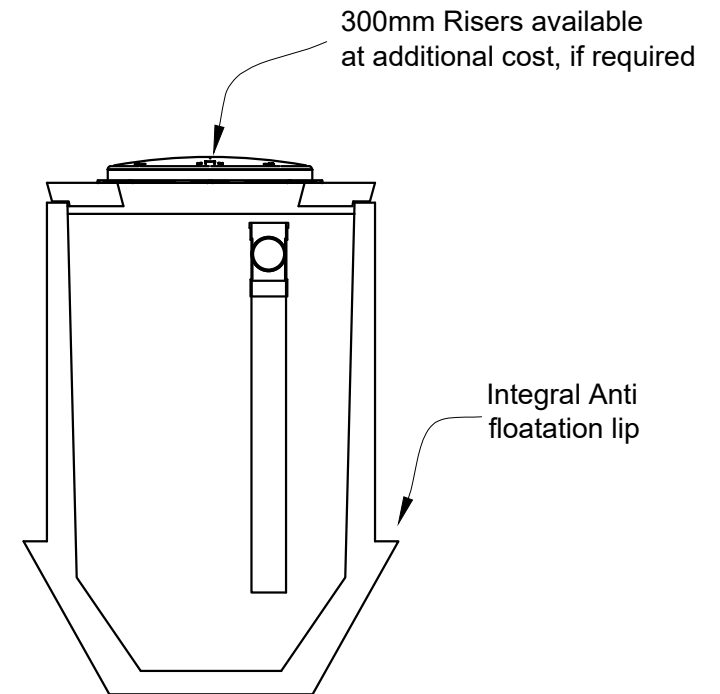
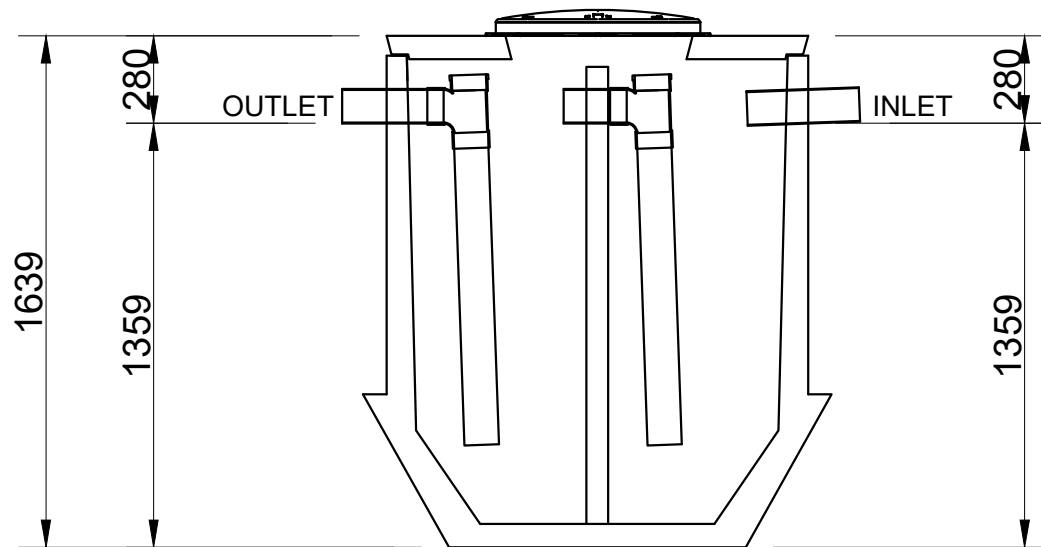


LID thickness standard at 80mm. Recommended maximum loose soil cover depth - 400mm.

Light trafficable / heavy duty lids are available to order. Contact Austin Bluewater technical department

TANK Weight - with 80mm lid = 2.1 t  
Lifting - 2 No. Reid 1.3 eye anchors



Christchurch Head Office  
20 Illinois Drive, Rolleston  
P O Box 16865, Hornby 8441,  
Christchurch  
0800 austin - 0800 287 846

## OIL & GRIT INTERCEPTOR - 1500 Litre Capacity

THE COPYRIGHT OF THIS DRAWING REMAINS WITH AUSTIN BLUEWATER ENVIRONMENTAL CONCEPTS LTD.

Nov 2019 - opening centralised in lid

Product code:	Scale: NTS
<b>OG15</b>	Drawn: GN
	Date: 07/17
	Rev: May 2023